

# A10060

## Unmonitored Double Standard Magnet

- Operating voltage 12~24Vdc (*Selectable*)
- Aluminium housing
- Holding force up to 2 x 1200lbs (*544Kg*)
- Electro-less nickel plated armature



### OPTIONS

500BP



U520S



A500ZL



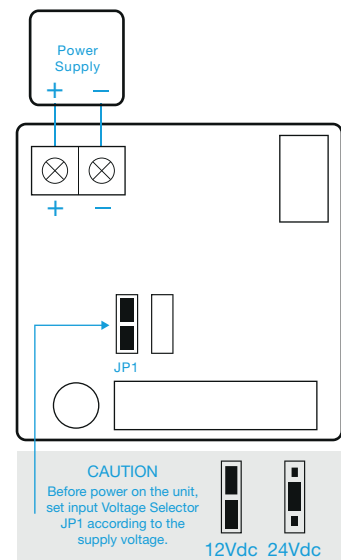
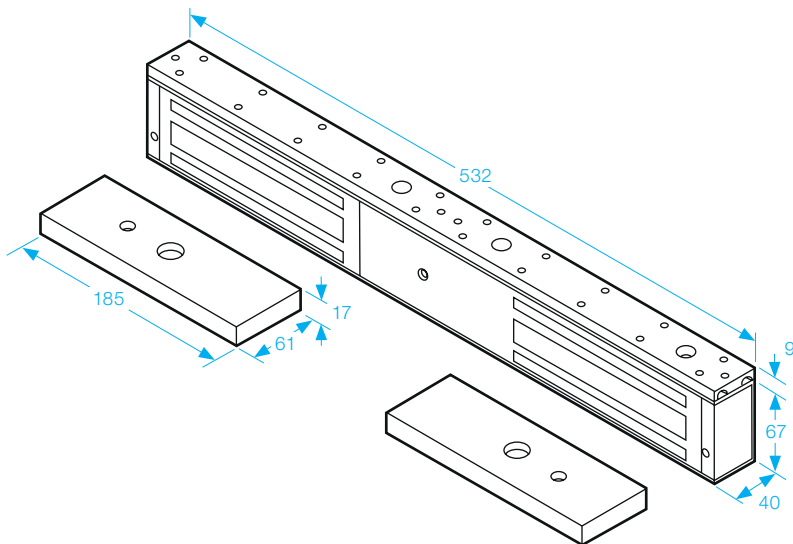
500ZLDC



U500AL



LD-SM-SC



### SPECIFICATION

- Voltage tolerance:  $\pm 10\%$ .
- Current draw: 420mA at 12Vdc, 210mA at 24Vdc (*at temperature 20°C*).
- Operating temperature:  $-10\sim 55^{\circ}\text{C}$  (*14 to 131°F*).
- Lock's surface temperature: Current temperature  $\pm 20\%$  (*when power is on*).

- Humidity: 0~95% non-condensing.
- Aluminium housing, nickel plated armature.
- Weight: 9.3kg (*approx*).