

AGL1200NTBR

External Magnet

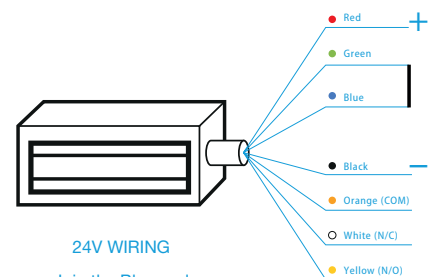
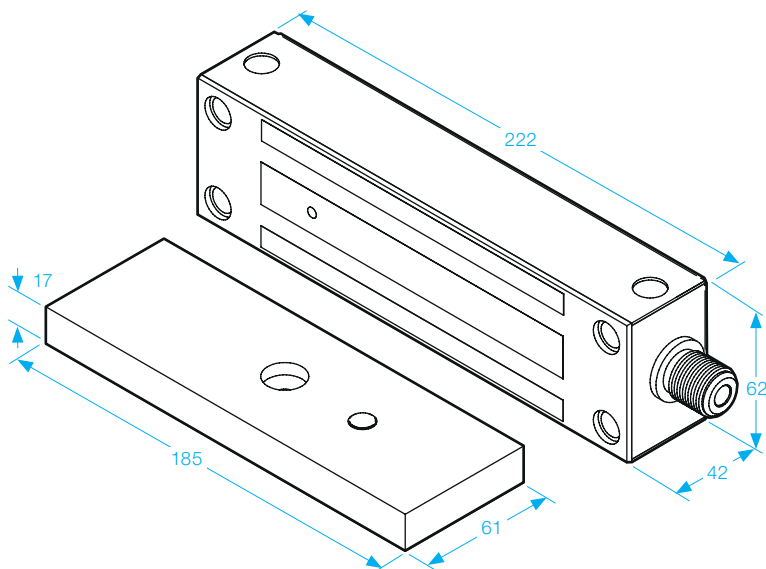
- Operating voltage 12~24Vdc
(*Selectable*)
- Stainless Steel housing
- Holding force up to 1200lbs (545Kg)
- Weather resistant: IP67
- Sealed electronics



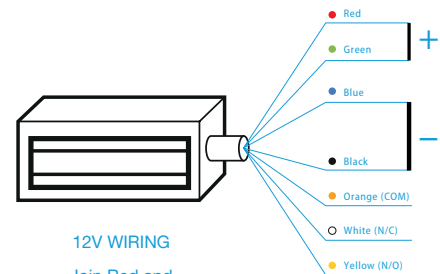
WEATHER
RESISTANT
- IP 67 -



STAINLESS
STEEL



Join the Blue and Green wires together. Use Red for positive and Black for negative.



Join Red and Green wires together to make positive. Join Black and Blue together to make negative.

SPECIFICATION

- Voltage tolerance: $\pm 10\%$.
- Current draw: 420mA at 12Vdc, 210mA at 24Vdc (at temperature 20°C).
- Operating temperature: -10~55°C (14 to 131°F).
- Lock's surface temperature: Current temperature $\pm 20\%$ (when power is on).
- Humidity: 0~95% non-condensing.
- Weight: 3.7kg (approx).
- Magnetic bond sensor monitor output remotely monitors the door lock or unlock status. (N.C. Output-Door opened; N.O. Output-door closed) (SPDT rated 0.25A at 12Vdc).