

A-GL850-R

External Magnet

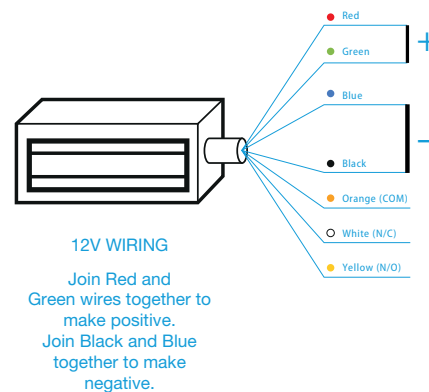
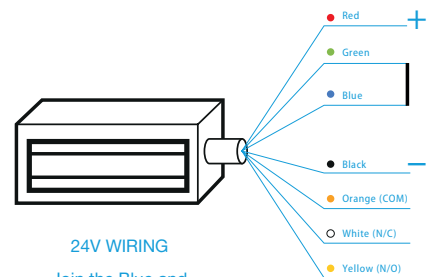
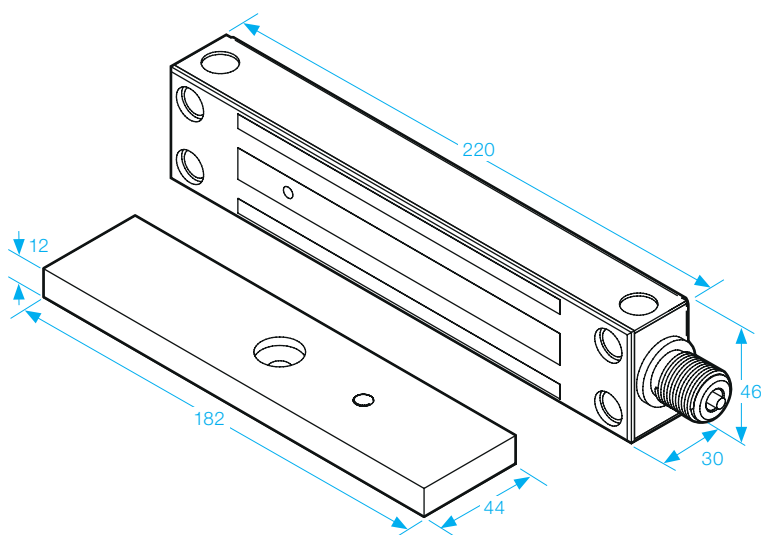
- Operating voltage 12~24Vdc
(*Selectable*)
- Stainless Steel housing
- Holding force up to 800lbs (363Kg)
- Weather resistant: IP67
- Sealed electronics



WEATHER
RESISTANT
- IP 67 -



STAINLESS
STEEL



SPECIFICATION

- Voltage tolerance: $\pm 10\%$.
- Current draw: 460mA at 12Vdc, 230mA at 24Vdc (at temperature 20°C).
- Operating temperature: -10~55°C (14 to 131°F).
- Lock's surface temperature: Current temperature $\pm 20\%$ (when power is on).
- Humidity: 0~95% non-condensing.
- Weight: 2.9kg (approx).