

DRB002NF Series

Exit Button

- Brushed Stainless Steel
- 19mm Stainless Steel button
- Flush mount
- Narrow style



DRB002NF-PTE

PRESS TO EXIT

- COM / NO / NC
Change-over-contacts



DRB002NF-DR

DOOR RELEASE

- COM / NO / NC
Change-over-contacts



DRB002NF-PTE SWH20

PRESS TO EXIT

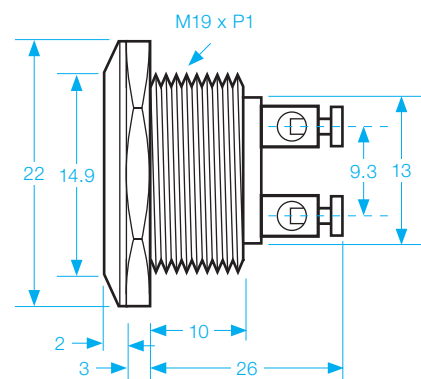
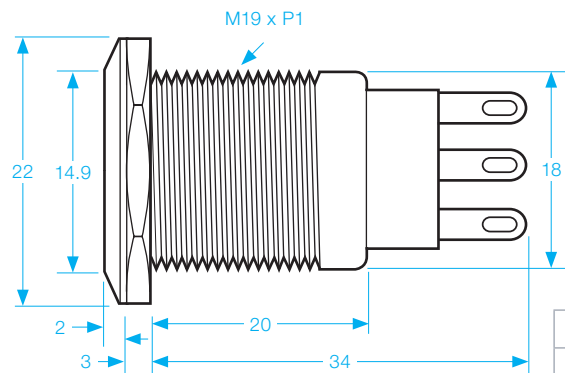
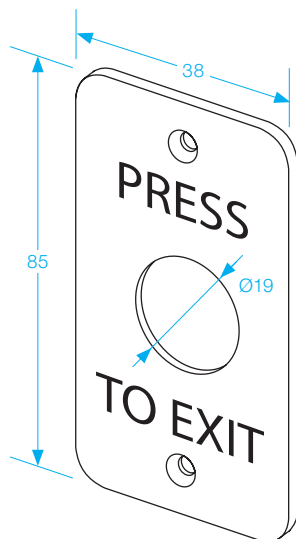
- COM / NO
- Screw terminals



DRB002NF-DR SWH20

DOOR RELEASE

- COM / NO
- Screw terminals



SPECIFICATION

- Max. Rating: 5A/125/250 Vac.
- Contact resistance: 50mΩ Max. (Initial).
- Operating travel: 2.7mm.
- Operating life (Mechanical):
Over 100,000 times.
- Cables included.