

DRB002S Series

Exit Button

- Brushed Stainless Steel
- 19mm Stainless Steel button
- Surface mount
- **FREE:** Add your company logo

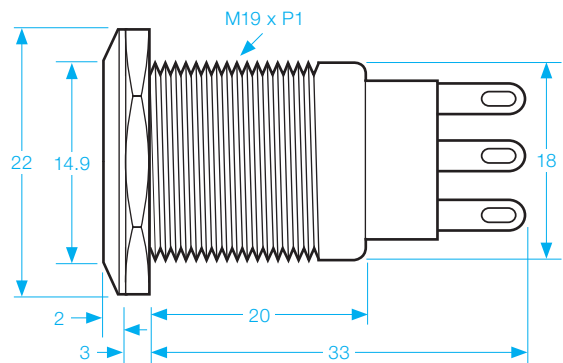
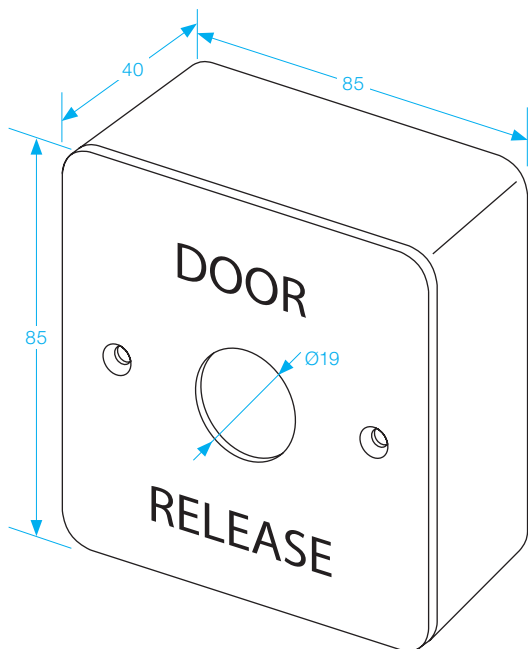


DRB002S-PTE

PRESS TO EXIT

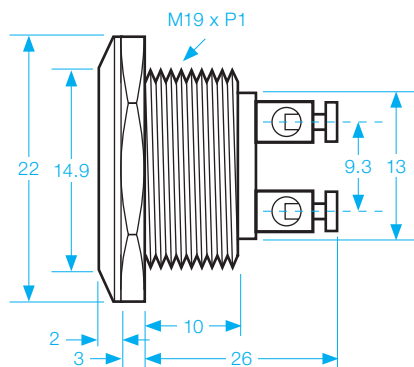
- COM / NO / NC Change-over-contacts

<p>DRB002S-DR DOOR RELEASE</p>  <ul style="list-style-type: none"> • COM / NO / NC Change-over-contacts 	<p>DRB002S-PTE SWH20 PRESS TO EXIT</p>  <ul style="list-style-type: none"> • COM / NO • Screw terminals 	<p>DRB002S-DR SWH20 DOOR RELEASE</p>  <ul style="list-style-type: none"> • COM / NO • Screw terminals
---	--	--



BUTTON FOR:

- DRB-002S-PTE
- DRB-002S-NL
- DRB-002S-DR



BUTTON FOR:

- DRB-002S-PTE-SWH20
- DRB-002S-DR-SWH20

SPECIFICATION

- Max. Rating: 5A/125/250 Vac.
- Contact resistance: 50mΩ Max. (Initial).
- Operating travel: 2.7mm.
- Operating life (Mechanical): Over 100,000 times.
- Cables included.