

DRB005F-PTE

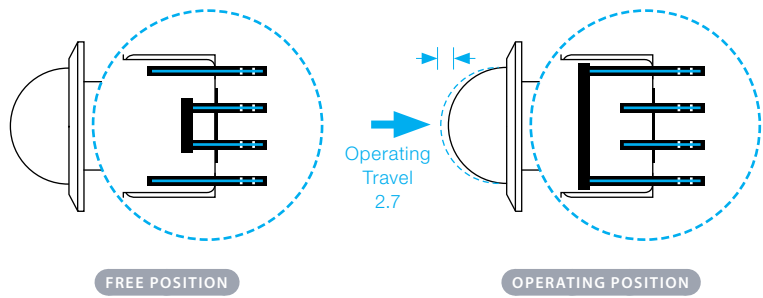
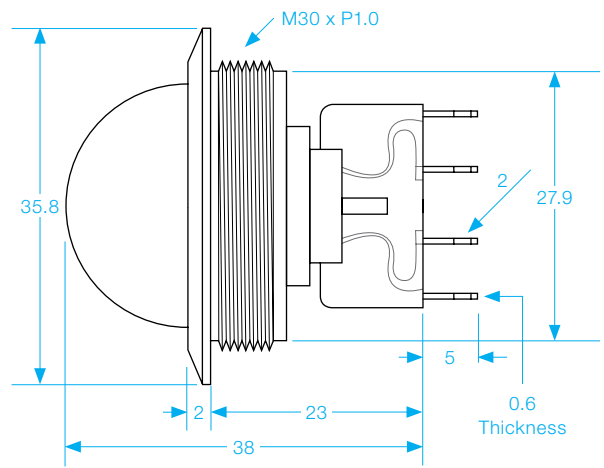
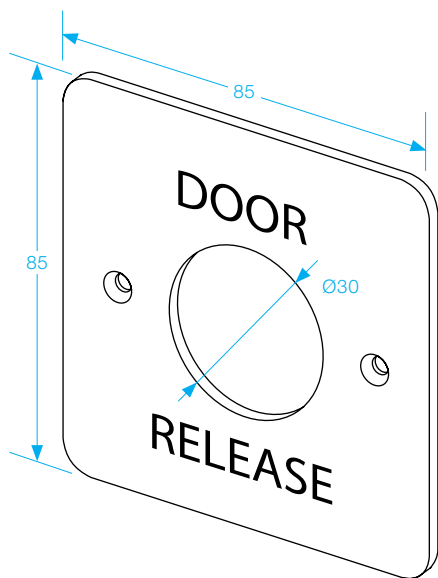
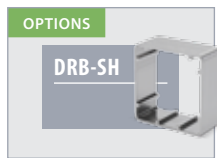
PRESS TO EXIT

DRB005F-DR

DOOR RELEASE

Exit Button

- Brushed Stainless Steel
- Alternative green dome button
- Flush mount
- **FREE:** Add your company logo
- COM-N/O
COM-N/C



SPECIFICATION

- Max. Rating: 5A/125/250 Vac.
- Contact resistance: 50mΩ Max. (Initial).
- Operating travel: 2.7mm.
- Operating life (Mechanical): Over 100,000 times.
- Cables included.