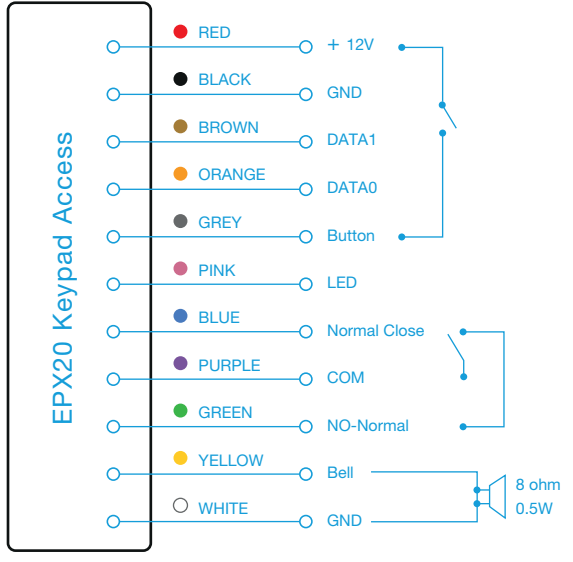
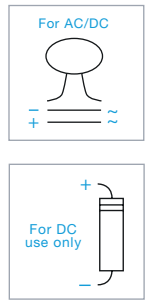
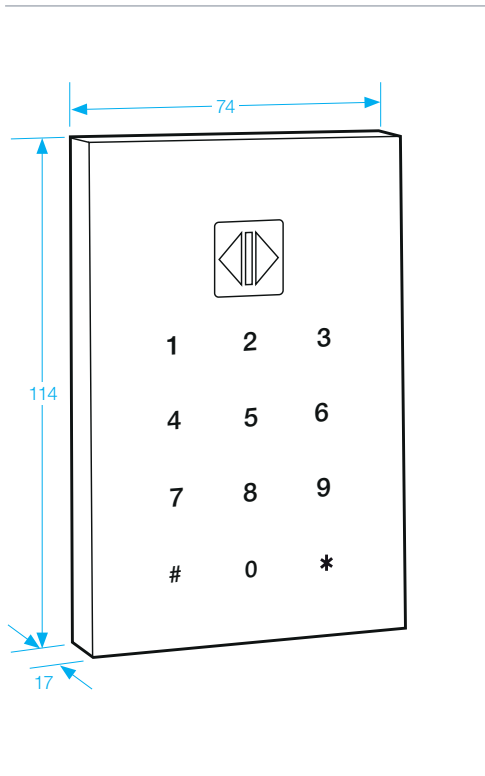


# EPX-20

## Combined Proximity and Keypad Access

- Operating voltage 12Vdc
- ABS plastic
- 1000 users
- Illuminated
- Touch sensitive
- Pin / Prox / Pin & Prox
- Aux weigand output
- LED display



RED	+ 12V	PINK	LED	YELLOW	BELL	PURPLE	COM
BLACK	GND	WHITE	GND	BROWN	DATA1	BLUE	NORMAL
GREEN	N.O.	ORANGE	DATA0	GREY	BUTTON		

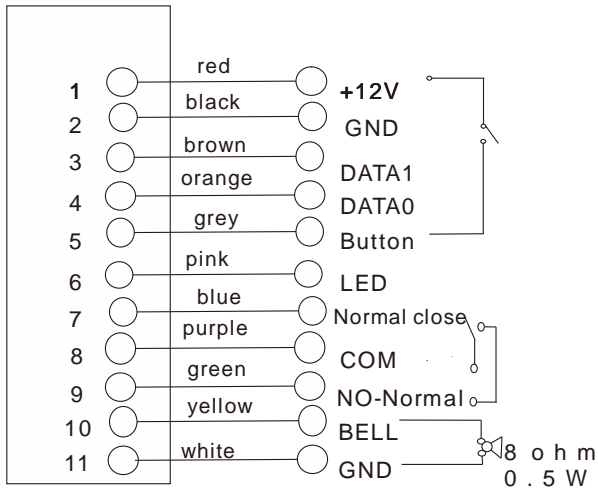
SPECIFICATION

- Current draw: Pull in: 100mA/12Vdc; Holding: 70mA/12Vdc. Pull in: 50mA/24Vdc; Holding: 35mA/24Vdc.
- Input: Request-to-Exit, time out reed switch contact.
- Output: Dual relays, N.O./N.C/Com.
- Relays rating: 2A MAX@30Vdc., 0.6A@120Vac.
- Programmable 4 digit code.
- RF frequency: EM 125 KHz.
- Relay strike time: 01~99 seconds or toggle mode (00).
- Read range: 5cm. (In noise -free environment).

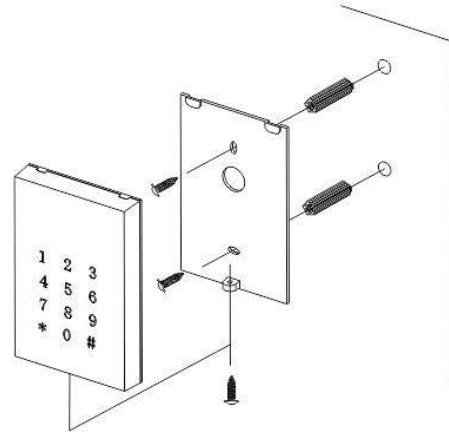
# Operation Manual

Product Name: **EPX20**

## Wiring diagram



## Fitting Instructions



## Operation

1. Memory volume is up to 1000 proximity cards/tokens and pins
2. Master code is 1234.
3. To enter setting mode - Input the master code twice (1234+1234 if the master code is 4 digits).
  - if the code length is set to 2 digit then the master code will be 12 +12
  - if the code length is set to 3 digit then the master code will be 123 +123The maximum master code length is 6 digits.

## Access modes setting

Enter the setting mode,

**Pin Only** :- See section ADDING USER CODES.

**Prox Only** :- Press \*0 the mode indicator will flash yellow, then press 00 the mode indicator will turn solid yellow and a long beep will be heard, this indicates that the access mode has successfully been set.

**Prox Or Pin** :- Press \*0 the mode indicator will flash yellow, then press 01 the mode indicator will turn solid yellow and a long beep will be heard, this indicates that the access mode has successfully been set. (Factory Default)

**Prox And Pin** :- Press \*0 the mode indicator will flash yellow, then press 02 the mode indicator will turn solid yellow and a long beep will be heard, this indicates that the access mode has successfully been set.

Press button # to exit the setting mode and standby.

## Setting The Length Of The Master Code

Enter the setting mode:

Press buttons \* **9** (mode indicator starts to flash), then press **04** (a tone will be heard and the mode indicator stops flashing), then input :-

**2** (for 2 digit operation)

**3** (for 3 digit operation)

**4** (for 4 digit operation)

**5** (for 5 digit operation)

**6** (for 6 digit operation)

A single tone is then heard to indicate the length of the master code has been successfully changed.

If 3 single tones are heard the code length is the same as the existing code length.

Press button # to exit the setting mode.

**Attention:** When the length of the master code is changed all existing cards/tokens and user codes will be **deleted**.

## Adding User Codes

Enter the setting mode:

Press \***9** (the yellow mode indicator will start to flash), then press **02** (a short tone will be heard and mode indicator will stop flashing), then enter the location slot **000** to **999** (each user code must be allocated its own user slot). Then enter the new user code ( the length of the user code must be the same as the master code)

Press the # key to exit setting mode.

## Adding User Cards/Tokens Only

Set the access Mode to Prox only.

Enter setting mode:

Allocate a location slot **000-999** (each card/token must have its own location slot)

Then show the prox card/token to the keypad.

Press the # key to exit setting mode. .

## Adding User Cards/Tokens and User Codes

Enter the setting mode:

Allocate a location slot **000-999**:

If the mode indicator turns red the location slot has already been used, to delete this press \* twice and the location slot will be cleared and the mode indicator will turn green.

Once the mode indicator light is green show a proximity card/token.

Input a user code (must be the same length as the master code)

A short tone will be heard the mode indicator will stop flashing green and turn yellow, this indicates the operation was successful.

2.If green light bright means no record on that number before and can add the passwords in.

Press # button to exit the setting mode.

## Set the unlocking time

Enter the setting mode:

Press \*1 (mode indicator flashes yellow), then press the number from 00 to 99 (a short tone will be heard to indicate success).

05 = 5 seconds

10 = 10 seconds

Press # button to exit the setting mode.

## Deleting All Prox Cards/Tokens And User Codes

Enter the setting mode:

Press \*8 (mode indicator will start to flash yellow), then press 88 (a short tone will be heard).

Press # to exit setting mode.

All prox cards/tokens and user codes have now been deleted.

## Restore To Factory Settings

Press \*8 (mode indicator will flash yellow), then press 99 (a short tone will be heard)

Press # button twice to exit the setting mode.

**Attention:**-This operation deletes all prox cards/tokens and user codes it will also reset the master code to 4 digits 1234.

If the master code is not known:-

Power down the keypad for approximately 10 secs.

Reconnect the power.

While the mode indicator is flashing red press and hold the # for 5 secs (a short tone will be heard).

The keypad is now reset to factory settings.

**Attention:**-This operation deletes all prox cards/tokens and user codes it will also reset the master code to 4 digits 1234.

## Change Master Code

Enter the setting mode:

Press \*3 (the mode indicator will start to flash), then input the new master **code twice** (the length of new admin code should be the same as the old one).

Two short tones and the mode indicator will stop flashing, this indicates the change was successful.

Press # button twice to exit the setting mode.

## Adding A Master Card

Enter the setting mode:

Press \*7 (mode indicator will flash green, this signifies that no master cards have been added previously).

If the mode indicator turns green but does not flash this means a master card has already been added. To delete this card press the \* twice, the mode indicator will start to flash and the keypad is ready to accept a new master card.

Press # button to exit the setting mode.

## Enter Setting Mode With Master Card

Show the master card to the keypad once only (the mode indicator will turn yellow), the keypad is now in setting mode.

Show the master card again, (three short tones are heard and the mode indicator will turn red). The keypad is now out of setting mode.

## Add Cards In Batches

Enter the setting mode:

Press \*9 (the mode indicator will start to flash) press 01 (a short tone will be heard and the mode indicator will stop flashing)

Enter a location slot 000-999 from which the batch is to start.

Then enter the amount of cards you wish to enter e.g. 050 indicates 50 cards are to be entered.

A short tone will then be heard. This signifies that all the batch cards can now be shown to the keypad one at a time, each card will be added to the next allocation slot in order from where you started the batch adding.

Press # button to exit the setting mode.

## Deleting Individual Prox Cards/Token Or User Codes

To delete an existing prox card/token or user card **the location slot must be known.**

Enter the setting mode:

Enter the location slot 000-999 that needs to be cleared. (The mode indicator will turn red to indicate the slot is being filled)

Press the \* **twice** to clear the location slot. (The mode indicator will turn green to show the slot is now empty)

## Door Bell Function (Optional)

Enter the setting mode:

Press \*2 (the mode indicator will flash yellow), then press 01 (a short tone will be heard and the mode indicator will stop flashing), this will turn the door bell function **off**.

Press \*2 (the mode indicator will flash yellow), then press 02 (a short tone will be heard and the mode indicator will stop flashing), this will turn the door bell function **on**.

This function will operate an independent doorbell sounder (not supplied) when the \* button is pressed.

Press # button to exit the setting mode.